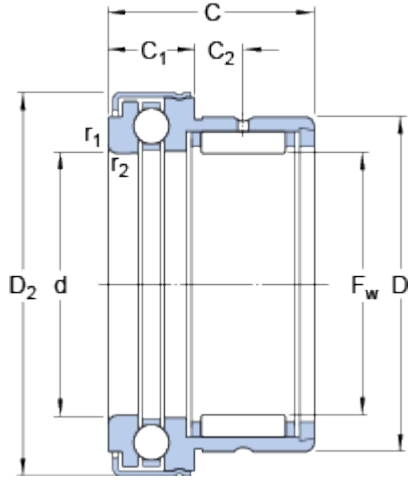


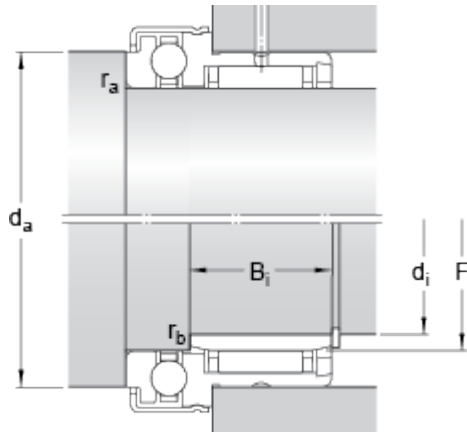
NKX 10 ZTN

Dimensions



F_w	10	mm
D	19	mm
C	23	mm
C_1	9	mm
C_2	6.5	mm
d	10	mm
D_2	25.2	mm
$r_{1,2}$	min. 0.3	mm

Abutment dimensions



d_a	min. 19.7	mm
r_a	max. 0.3	mm
r_b	max. 0.3	mm
d_i	7	mm
F	10	mm
B_i	16	mm

Calculation data

Basic dynamic load rating, radial direction	C	5.9	kN
Basic static load rating, radial direction	C_0	8	kN
Basic dynamic load rating, axial direction	C	10	kN
Basic static load rating, axial direction	C_0	15.3	kN
Fatigue load limit, radial direction	P_u	0.9	kN
Fatigue load limit, axial direction	P_u	0.56	kN
Minimum axial load factor	A	1.2	
Reference speed		9500	r/min
Limiting speed		8000	r/min

Mass

Mass bearing	0.036	kg
--------------	-------	----

Appropriate products

Inner ring	IR 7x10x16
------------	------------